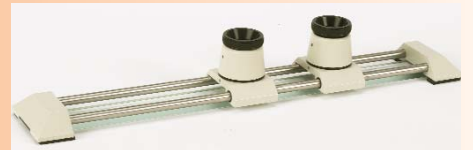




Inspecta

MAGNIFIED MEASURING SCALES
MAGNIFIED MEASURING SCALES
MAGNIFIED MEASURING SCALES
MAGNIFIED MEASURING SCALES
MAGNIFIED MEASURING SCALES
MAGNIFIED MEASURING SCALES
MAGNIFIED MEASURING SCALES



Inspecta



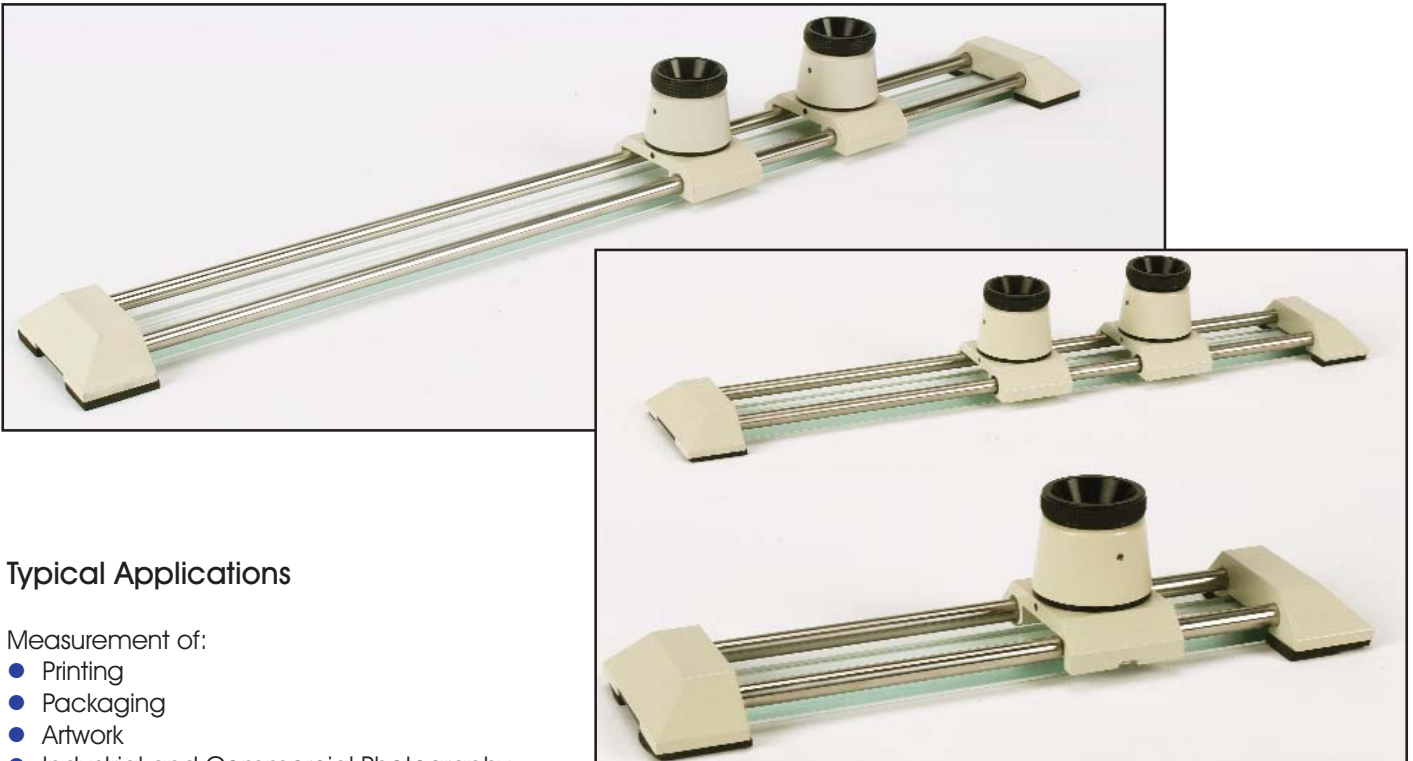
Other Products in the Inspecta Range:

- Magnifiers with Reticles
- Microscope Components
- Portable Microscopes
- Video Inspection
- Depth Scopes
- Thru Hole Scopes
- Calibration Products
- Microscope Systems
- Co-ordinate Measurement
- Measuring Microscopes

Magnified Measuring Scales: CA Series

If you need a simple and accurate scale for performing measurements on flat objects then the Pyser Inspecta Magnified Measuring Scales are the ideal solution. Ranging in length from 150mm to 600mm and in imperial versions too, these scales offer unrivalled quality and precision. Little or no training is required before operators can perform measuring tasks on-line or in the laboratory. There are no electrical parts, the optics are all glass for the best possible definition, the scales are precision divided and applied using a chrome deposition technique for durability and, unusually, the instrument is fully serviceable.

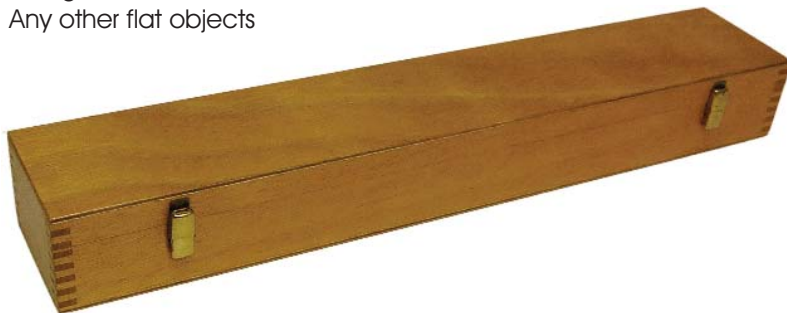
The fine divisions of 0.1mm on metric versions and 0.005" on imperial versions allow accurate measurements to be made. Operators just place the instrument on the item and read off measurements by looking through the magnifier at the scale, a simple subtraction of one reading from the other gives the distance measurement. The magnifiers are focussable to reduce eye strain and improve resolution, and the unit is all metal and glass construction for robustness. A polished wooden box is supplied to house the instrument when it is not being used.



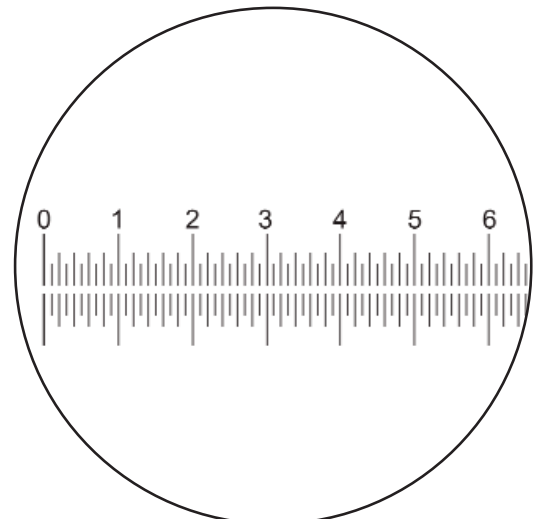
Typical Applications

Measurement of:

- Printing
- Packaging
- Artwork
- Industrial and Commercial Photography
- Maps
- PCB Manufacture
- Navigation Charts
- Any other flat objects



Each Magnified Measuring Scale is supplied in a wooden box as shown above



Typical scale image as seen through magnifier

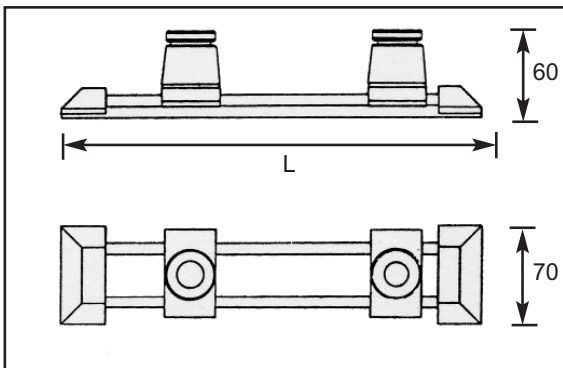
Technical Specifications

Cat Ref	Order Code	Scale Length	Sub-divisions	No. of Magnifiers	Dimensions (l x w x h)	Weight Kg
CA150	50E02020	150mm	0.1mm	1	220x70x60mm	0.5
CA310	50E02021	300mm	0.1mm	2	380x70x60mm	0.8
CA710	50E02022	450mm	0.1mm	2	535x70x60mm	1.0
CA810	50E02023	600mm	0.1mm	2	685x70x60mm	1.2
CA510	50E02068	12"	0.005"	2	14"x2.8"x2.4"	0.8

Each instrument is supplied ready for use in a polished wooden case.
Other scales and lengths are available to special order.

Calibration Traceability

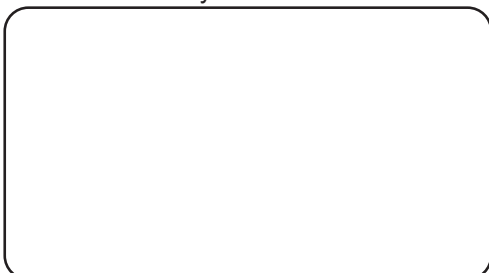
For many quality control applications there is a need for calibration traceability.
Pyser-SGI offer UKAS calibration on all the CA measuring scales.



Replacement glass scales

Cat Ref	Order Code	Scale Length	Sub-divisions
PCA150	50B02023	150mm	0.1mm
PCA300	50B02024	300mm	0.1mm
PCA500	50B02025	12"	0.005"
PCA700	50B02026	450mm	0.1mm
PCA800	50B02027	600mm	0.1mm

Please contact Pyser-SGI Limited



PYSER - SGI LIMITED
 Fircroft Way, Edenbridge, Kent,
 United Kingdom, TN8 6HA
 Telephone: +44 (0)1732 864111
 Facsimile: +44 (0)1732 865544
 Email: sales@pyser-sgi.com
 www.pyser-sgi.com

August 2010 E & OE